

# LION

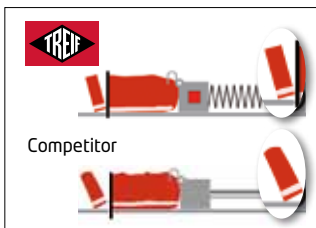
## LION: The perfect transformation of energy into efficiency

With 400 cuts per minute and a large insertion chamber measuring 350 x 240 mm (W x H), the LION slicing and portion cutting machine provides high capacity and sufficient space for numerous slicing applications.

It complements the portfolio of slicing and portion cutting machines by a broader, larger machine model that is especially suited for the supermarket and industrial target groups.



LION 700 F



Competitor

Precise cross-section as a result of the dynamic feeding system (DVS).



Versatility is the hallmark of LION.



A look in the blade box shows a thin blade for a precise cut.



Whether bone-in or boneless - the portion cutting machine slices all products precisely and neatly.



The intelligent product feed holder can differentiate between meat and bone simply by gripping the product.



LION has a cutting output of 400 cuts/min.



Dimple plate: An air cushion forms between the dimples on which the product is effortlessly guided to the blade.



The variety of products that LION can accommodate ranges from cutlets to cheese products.



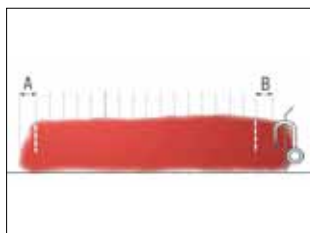
## Versatile use of LION

LION can cut bone-in or boneless products such as bacon, pork belly, pork blade steaks, cutlets, beef steaks, roulades or cheese products.

<b>Technische Daten:</b>	<b>LION F / FB</b>	<b>LION E / EB</b>
Max. cut-off length (mm/inch)	0.5-70; 1/50"-2 4/5"	0.5-250; 1/50"-9 4/5"
Cuts per minute (double blade)	400	400
Cross-section of product w x h (mm/inch)	350 x 240; 13 4/5" x 9 1/2"	350 x 240; 13 4/5" x 9 1/2"
Max. Infeed length (mm/inch)	700; 27 3/5"	700; 27 3/5"
Housing dimensions (mm/inch)		
Length/Width/Height without belt (mm/inch)	1,890/1,150/1,550; 74 2/5"/45 1/2"/61"	1,890/1,150/1,550; 74 2/5"/45 1/2"/61"
Length/Width/Height with belt (mm/inch)	2,690 / 1,150/2,690 / 1,150/ 1,550; 106"/45 1/2" / 61"	2,690 / 1,150/2,690 / 1,150/ 1,550; 106" / 45 1/2" / 61"
Connecting load (kW)	3.4 / 3.5	3.4 / 3.5
Products	Up to -4 °C / 24.8 °F	Up to -4 °C / 24.8 °F
Weight without belt (kg/lb)	320; 706	320; 706
Weight with belt (kg/lb)	409; 902	409; 902
Product specific accessories	on request	on request



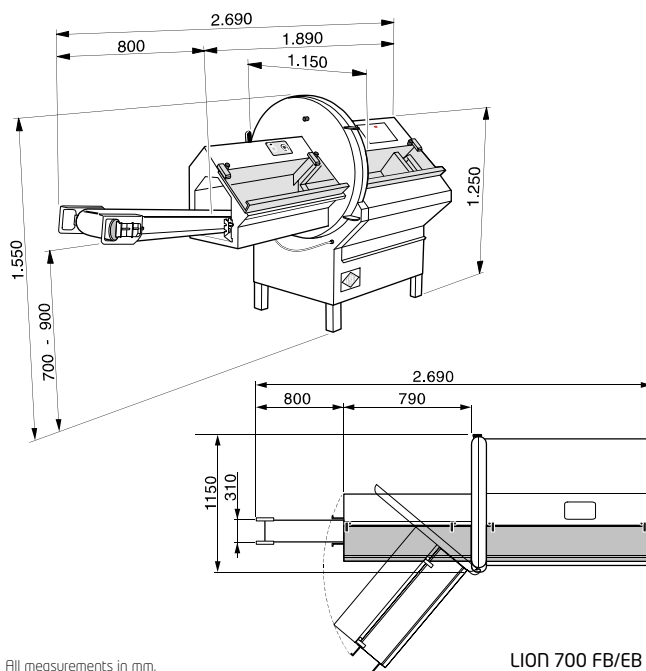
Blades for various applications are optionally available (double, cordon bleu, crinkle blade, cheese and sausage blade).



The residual piece optimisation ensures that the product is sliced in uniform thicknesses all the way to the residual piece.



The pneumatic product feed holder automatically expels the residual piece after slicing (optional).



All measurements in mm.

LION 700 FB/EB

### Your benefits at a glance:

- The 350 mm-wide insertion chamber allows plenty of space for numerous slicing applications, particularly for bulky products
- High-performance and precision even with bone-in products
- Increased speed in the production as a result of the back-feed limitation
- Optimum utilisation of the product, for example by sectioning the product into slicing areas and as a result of residual piece optimisation (E/EB)
- Fulfilment of the highest hygiene requirements as a result of labyrinth guidance
- HS (High-Speed) more capacity (optional)

[www.treif.com](http://www.treif.com)

#### HEADQUARTERS:

TREIF Maschinenbau GmbH  
Südstraße 4  
D-57641 Oberlahr  
Tel. +49 2685 944 0  
Fax +49 2685 1025  
E-Mail: info@treif.com

#### LOCATIONS:

TREIF S.A.R.L.  
22, rue des Tuileries  
F-67460 Souffelweyersheim  
Tel. +33 3 8818 4018  
Fax +33 3 8818 4019  
E-Mail: info-france@treif.com

TREIF USA Inc.  
50 Waterview Drive, Suite 130  
USA-Shelton CT 06484  
Tel. +1 203 929 9930  
Fax +1 203 929 9949  
E-Mail: treifusa@treif.com

TREIF U.K. Ltd.  
Genesis House  
Poole Hall Road  
Ellesmere Port  
GB-Cheshire CH66 1ST  
Tel. +44 151 350 61 00  
Fax +44 151 350 61 01  
E-Mail: arthur.pynenburg@treif.com

TREIF in Belgium  
Villalaan 21  
B-9320 Aalst  
Tel. +32 53 770813  
Fax +32 53 789666  
E-Mail: jo.tuyppaert@treif.com

TREIF China  
TREIF Maschinenbau GmbH  
1st floor (West), No. 69, Lane 1985  
Chunshen Road, Minhang District  
Shanghai, 200237 China  
Tel. +86 21 5879 8255  
Fax +86 21 5879 8256  
E-Mail: treif.china@treif.com